



SolidWEAVE systems media solution

Neverleak Filter Leaf Questionnaire

Rectangular bottom drain

Date _____

In order to service your needs most effectively, please provide us with as much information as possible. The questions below will serve as guidance.

Company _____

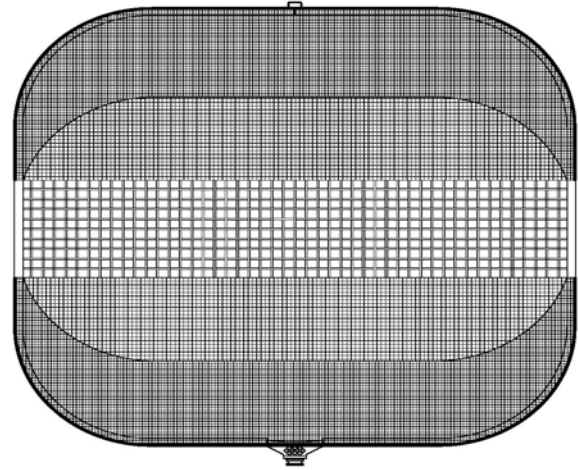
Contact Name _____

Street _____

City _____

State _____ Zip _____

Country _____



Vertical filter leaf for horizontal pressure vessel

Specifications

OEM of filter vessel _____

How many vessels are in service? _____

How many leaves per vessel? _____

What is the product being filtered?

What is the filter aid used?

Additional dimensional or construction requirements

Leaf Size diagonal _____
L x W _____

Thickness at mesh _____
at perimeter _____
corner radius _____

Handles no handles (check) _____
handles (check) _____
(sketch location and details)

alloy _____

Vibrator Button location _____
Size _____

Outlet design type _____
(please submit dwg or sample)

Filter Cloth mesh count _____
wire sizes _____
alloy _____
filter rating _____
(if known)



SolidWEAVE systems media solution

Neverleak Filter Leaf Questionnaire

Round with backer plate

Date _____

In order to service your needs most effectively, please provide us with as much information as possible. The questions below will serve as guidance.

Company _____

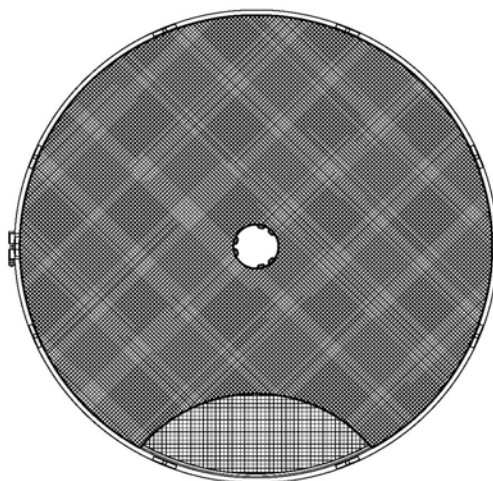
Contact Name _____

Street _____

City _____

State _____ Zip _____

Country _____



Horizontal filter leaf for vertical pressure vessel

Specifications

OEM of filter vessel _____

How many vessels are in service? _____

How many leaves per vessel? _____

What is the product being filtered?

What is the filter aid used?

Additional dimensional or construction requirements

Leaf Size outer diameter _____

inner diameter _____

thickness _____

Backer plate/pan

(provide drawing or sample for new leaves)

Center Hub

(provide drawing or sample for new leaves)

Filter Cloth mesh count _____

wire sizes _____

stloy _____

filter rating _____

(if known)